

Spring Return Handles

Guaranteed failsafe operation for all quarter turn manual valve applications, suitable from 13Nm up to and including 44Nm.



 **SAME DAY
DESPATCH
AVAILABLE**



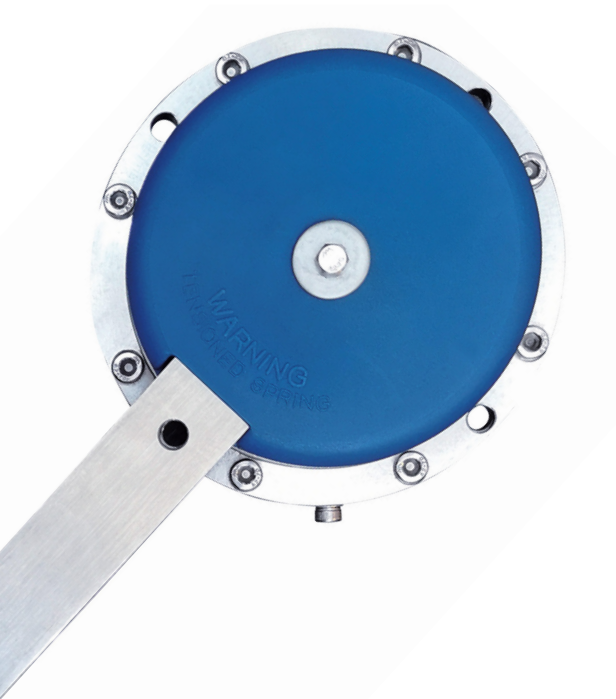
SPECIFICATION

- 304 stainless steel body & lever
- Super-Duplex one piece drive coupling
- ISO standard drive and mountings
- Guaranteed for a minimum of 20,000 operations
- Weatherproof sealed spring housing to protect from internal corrosion
- Reliable low stress range, heavy duty spring
- Sealed to IP67
- Sealed for life, zero maintenance
- Lockable as standard
- A2 fasteners

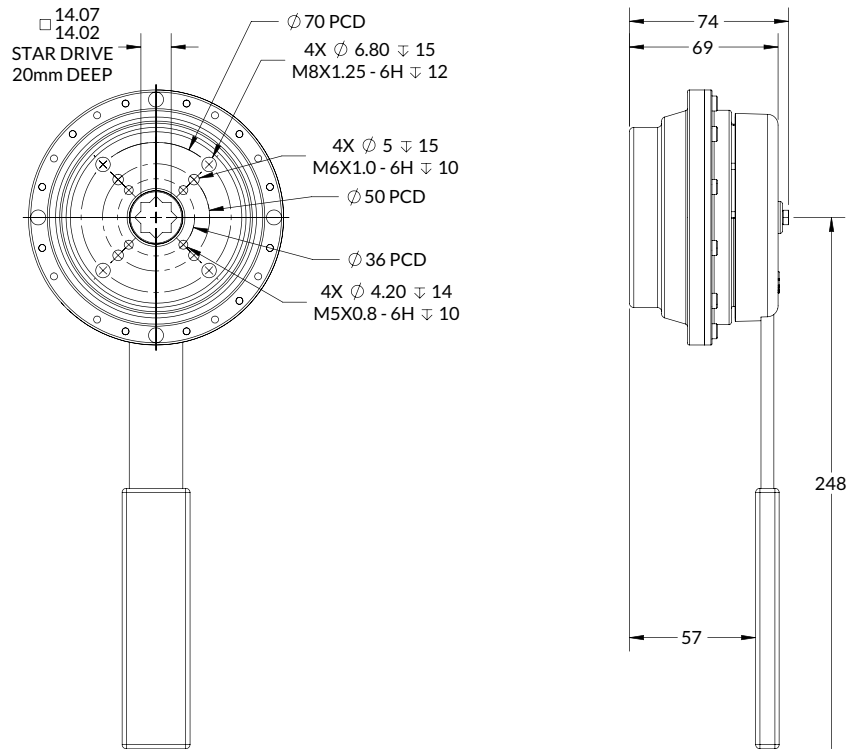
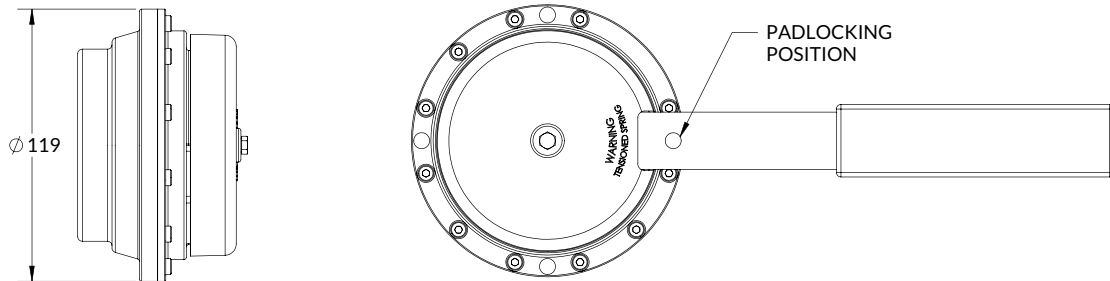


OPTIONS

- Counter clockwise spring action
- Padlock
- Caps and handles in any colour choice
- Switchbox mounting
- Fusible link
- 316 Stainless steel construction upon request
- Special offshore paint specifications and finishes available
- Exotic materials are available on request



Dimensions & Technical Details



Model	Mounting Types			Female ISO/DIN Square	Standard Torque Nm	Torque Range (Minimum-Maximum)
013SRHSS	F03	F05	F07	14.02 / 14.07	13	13-44Nm
024SRHSS	F03	F05	F07	14.02 / 14.07	24	13-44Nm
044SRHSS	F03	F05	F07	14.02 / 14.07	44	13-44Nm